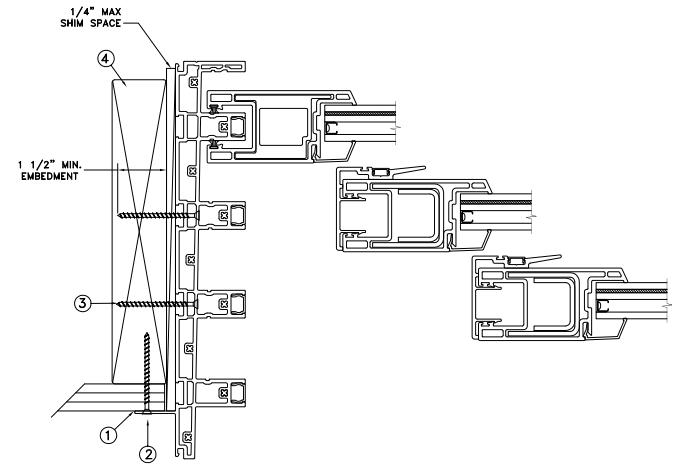
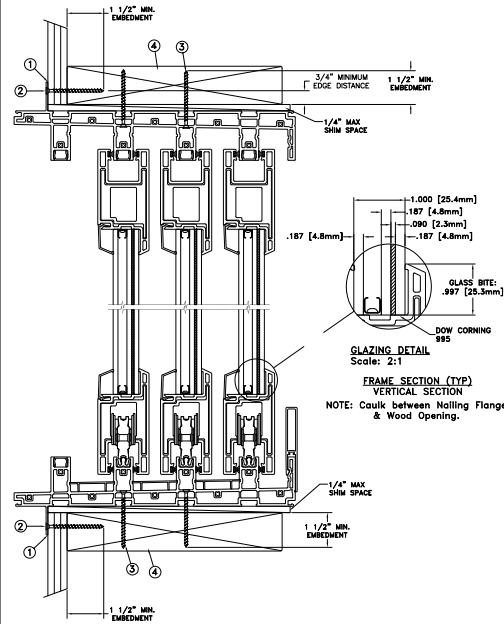
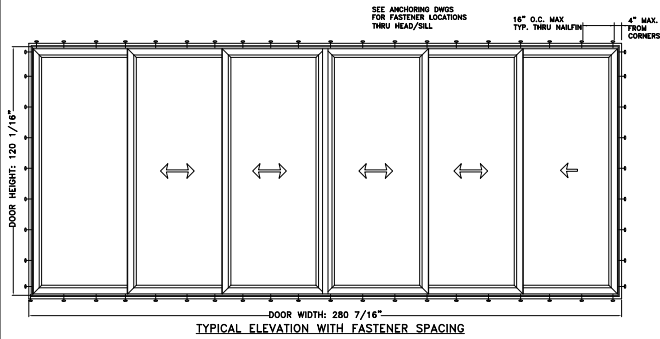


NAILFIN / THRU JAMB
INSTALLATION



FRAME JAMB SECTION (TYP)
HORIZONTAL SECTION
NOTE: Caulk between Nailing Flange & Wood Opening.

Max Frame	DP	IMPACT
280 7/16 x 120 1/16	+/- 60	YES

Installation Notes:

1. Seal flange/frame to substrate.
2. Use #8 PH or greater fastener through the nailfin with sufficient length to penetrate a minimum of 1 1/2" into the wood framing. For 2x wood frame substrate (min. S.G. = 0.42)
3. Use #8 PH or greater fastener through the pre-drilled holes in the head/sill tracks at the center (2) towers with sufficient length to penetrate a minimum of 1 1/2" into the wood framing. See additional details for location and spacing.
4. Host structure (wood buck, masonry, steel) to be designed and anchored to properly transfer all loads to the structure. The host structure is the responsibility of the architect or engineer of record for the project of installation.

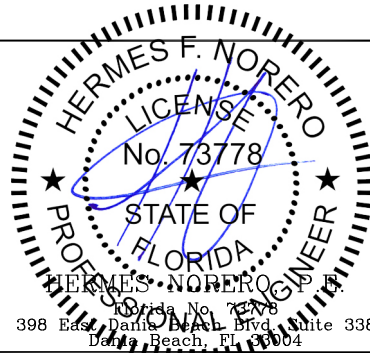
General Notes:

1. The product shown herein is designed, tested and manufactured to comply with the wind load criteria of the adopted International Building Code (IBC), the International Residential Code (IRC), the Florida Building Code (FBC) and the industry requirement for the stated conditions.
2. All glazing shall conform to ASTM E1300.
3. At minimum, glazing is 4.8mm tempered - 10.0mm airspace - 4.8mm annealed - 2.3mm SGP Interlayer by Dupont - 4.8mm annealed insulating glass.
4. Use structural or composite shims where required.

This schedule addresses only the fasteners required to anchor the unit to achieve the rated design pressure and impact performance (where applicable) up to the size limitations noted. It is not intended as a guide to the installation process and does not address the sealing consideration that may arise in different wall conditions. For the complete installation procedure, see the instructions packaged with the unit or go to www.jeld-wen.com/resources/installation.

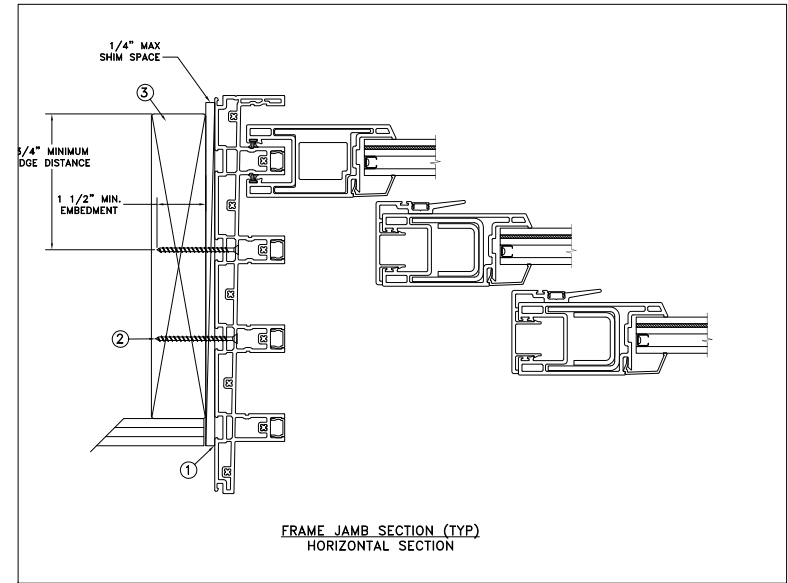
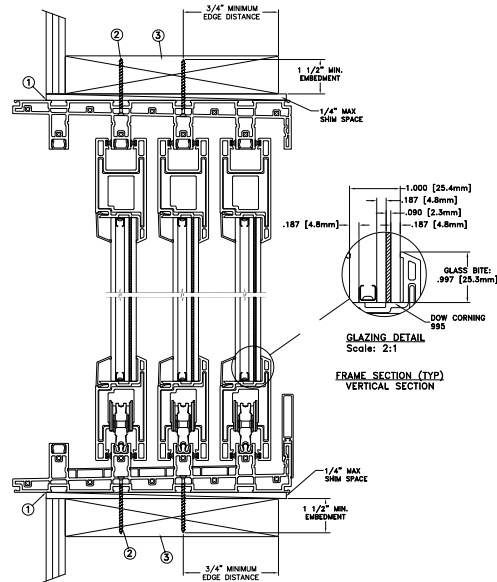
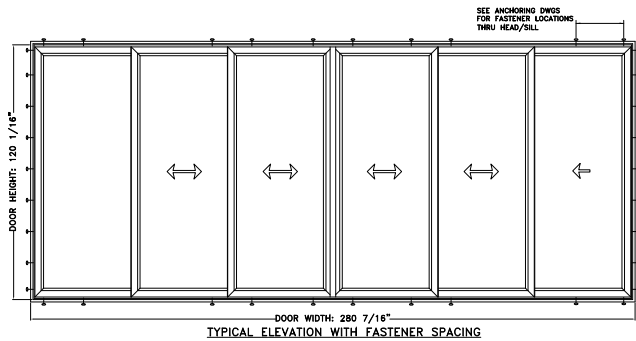
DISCLAIMER:

This drawing and its contents are confidential and are not to be reproduced or copied in whole or in part or used or disclosed to others except as authorized by JELD-WEN Inc.



PROJECT ENGINEER:	DATE:	JELD WEN 3737 LAKEPORT BLVD. KLAMATH FALLS OR, 97601 PHONE: (800) 535-3936		
	07/24/2017			
DRAWN BY:	SCALE:	Premium Vinyl Multi-Slide Patio Door - HVHZ 6-Panel 4-Track OXXXXX Stack		
J.HAWKINS	NTS			
CHECKED BY:	TITLE:			
D.CROWELL				
APPROVED BY:		PLANT NAME AND LOCATION:		
J.GOOSSEN				
PART/PROJECT No.:		CAD DWG. No.:	REV:	SHEET
D014677		PremVinylMTSLDR4 Cert	A	
IDENTIFIER No.		Venice-FL		
G6556.04				

THRU JAMB INSTALLATION



Max Frame	DP	IMPACT
280 7/16 x 120 1/16	+/- 60	YES

Installation Notes:

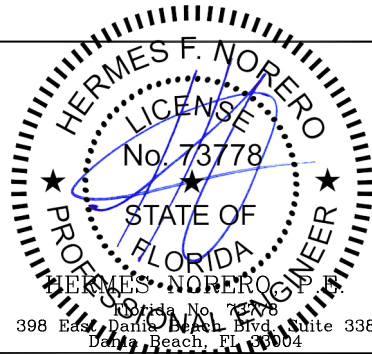
1. Seal flange/frame to substrate.
2. Use #8 PH or greater fastener through the pre-drilled holes in the head/sill tracks at the center (2) towers with sufficient length to penetrate a minimum of 1 1/2" into the wood framing. See additional details for location and spacing. For 2X wood frame substrate (min. SG = 0.42)
3. Host structure (wood buck, masonry, steel) to be designed and anchored to properly transfer all loads to the structure. The host structure is the responsibility of the architect or engineer of record for the project of installation.

General Notes:

1. The product shown herein is designed, tested and manufactured to comply with the wind load criteria of the adopted International Building Code (IBC), the International Residential Code (IRC), the Florida Building Code (FBC) and the industry requirement for the stated conditions.
2. All glazing shall conform to ASTM E1300.
3. At minimum, glazing is 4.8mm tempered - 10.0mm airspace - 4.8mm annealed - 2.3mm SGP Interlayer by Dupont - 4.8mm annealed insulating glass.
4. Use structural or composite shims where required.

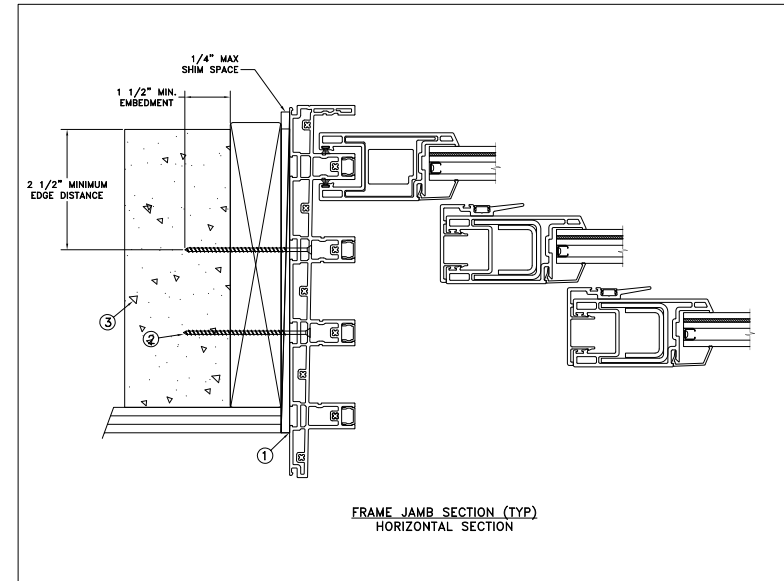
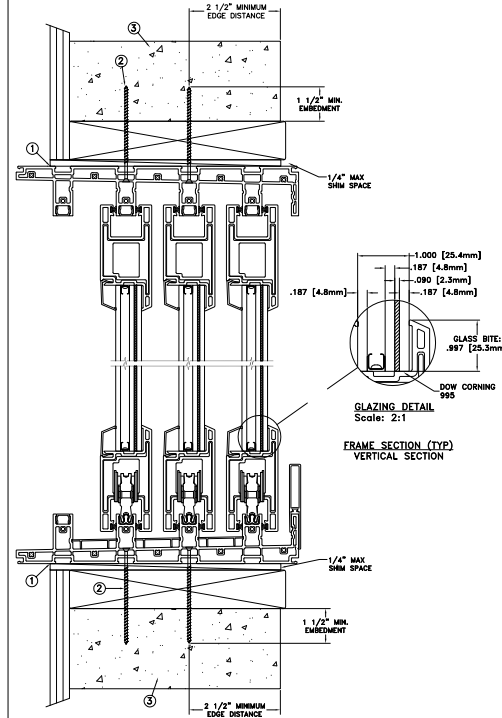
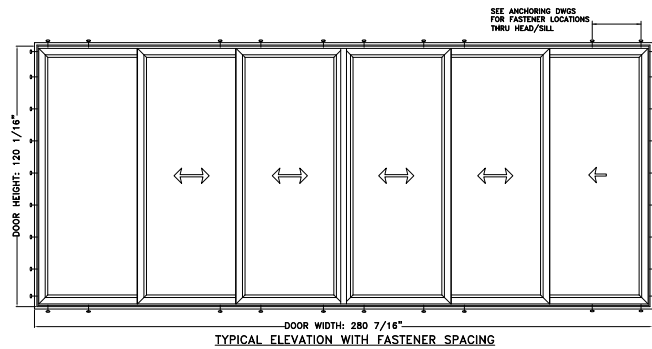
This schedule addresses only the fasteners required to anchor the unit to achieve the rated design pressure and impact performance (where applicable) up to the size limitations noted. It is not intended as a guide to the installation process and does not address the sealing consideration that may arise in different wall conditions. For the complete installation procedure, see the instructions packaged with the unit or go to www.jeld-wen.com/resources/installation.

DISCLAIMER:
This drawing and its contents are confidential and are not to be reproduced or copied in whole or in part or used or disclosed to others except as authorized by JELD-WEN Inc.



PROJECT ENGINEER:	DATE:	JELD WEN 3737 LAKEPORT BLVD. KLAMATH FALLS OR, 97601 PHONE: (800) 535-3936		
DRAWN BY:	SCALE:			
CHECKED BY:	TITLE:	Premium Vinyl Multi-Slide Patio Door - HVHZ 6-Panel 4-Track OXXXXX Stack		
APPROVED BY:				
PART/PROJECT No.:				
IDENTIFIER No.	PLANT NAME AND LOCATION:	CAD DWG. No.:	REV:	SHEET
G6556.04	Venice-FL	PremVinylMTSLDR4 Cert	A	

CONCRETE/MASONRY
INSTALLATION



Max Frame	DP	IMPACT
280 7/16 x 120 1/16	+/- 60	YES

Installation Notes:

1. Seal flange/frame to substrate.
2. Use 3/16" Tapcon or equivalent fasteners through the pre-drilled holes in the head/sill tracks at the center (2) towers with sufficient length to penetrate a minimum of 1 1/2" into concrete or masonry at each location with a 2 1/2" min. from edge distance. For concrete (min. fc = 3000 psi) or masonry substrate (CMU shall adhere to ASTM C90).
3. Host structure (wood buck, masonry, steel) to be designed and anchored to properly transfer all loads to the structure. The host structure is the responsibility of the architect or engineer of record for the project of installation.

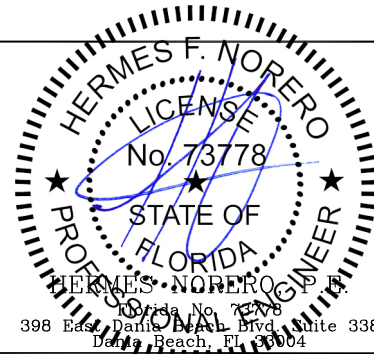
General Notes:

1. The product shown herein is designed, tested and manufactured to comply with the wind load criteria of the adopted International Building Code (IBC), the International Residential Code (IRC), the Florida Building Code (FBC) and the industry requirement for the stated conditions.
2. All glazing shall conform to ASTM E1300.
3. At minimum, glazing is 4.8mm tempered - 10.0mm airspace - 4.8mm annealed - 2.3mm SGP Interlayer by Dupont - 4.8mm annealed insulating glass.
4. Use structural or composite shims where required.

This schedule addresses only the fasteners required to anchor the unit to achieve the rated design pressure and impact performance (where applicable) up to the size limitations noted. It is not intended as a guide to the installation process and does not address the sealing consideration that may arise in different wall conditions. For the complete installation procedure, see the instructions packaged with the unit or go to www.jeld-wen.com/resources/installation.

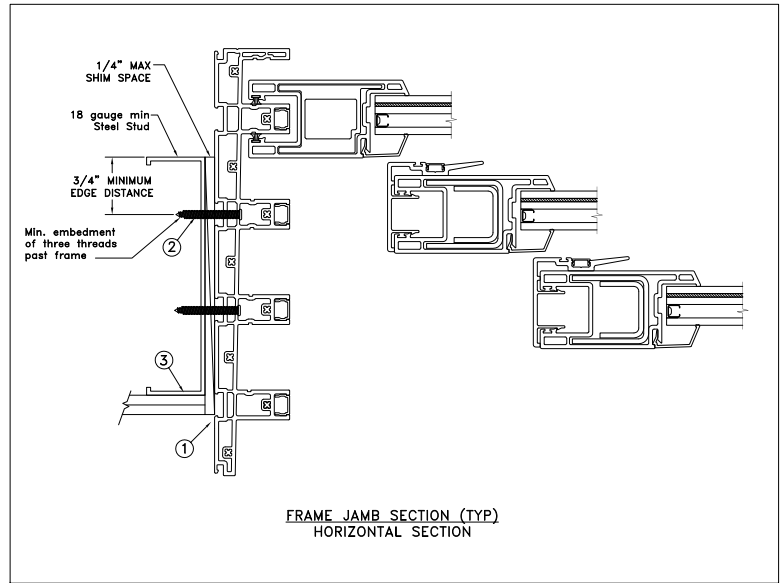
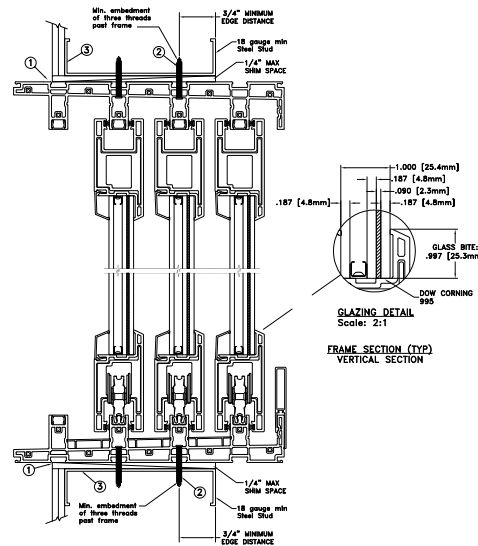
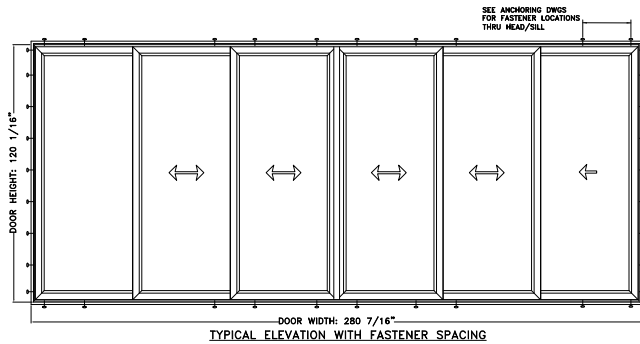
DISCLAIMER:

This drawing and its contents are confidential and are not to be reproduced or copied in whole or in part or used or disclosed to others except as authorized by JELD-WEN Inc.



PROJECT ENGINEER:	DATE:	JELD WEN 3737 LAKEPORT BLVD. KLAMATH FALLS OR, 97601 PHONE: (800) 535-3936		
	07/24/2017			
DRAWN BY:	SCALE:	Premium Vinyl Multi-Slide Patio Door - HVHZ 6-Panel 4-Track OXXXXX Stack		
J.HAWKINS	NTS			
CHECKED BY:	TITLE:			
D.CROWELL				
APPROVED BY:		PLANT NAME AND LOCATION: Venice-FL		
J.GOOSSEN				
PART/PROJECT No.:				
D014677		CAD DWG. No.:	REV:	SHEET
IDENTIFIER No.		PremVinylMTSLDR4 Cert	A	
G6556.04				

STEEL INSTALLATION



Max Frame	DP	IMPACT
280 7/16 x 120 1/16	+/- 60	YES

Installation Notes:

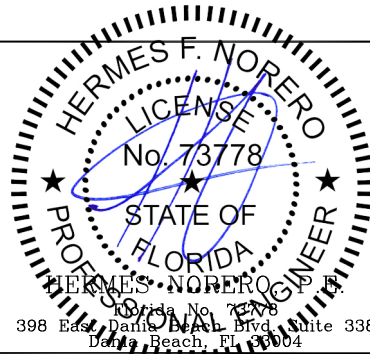
1. Seal flange/frame to substrate.
2. For anchoring into metal framing use #8 TEK Self-Tapping screws with sufficient length to achieve a minimum embedment of three threads past the frame thickness. Steel substrate min. 18ga., fy = 33 ksi.
3. Host structure (wood buck, masonry, steel) to be designed and anchored to properly transfer all loads to the structure. The host structure is the responsibility of the architect or engineer of record for the project of installation.

General Notes:

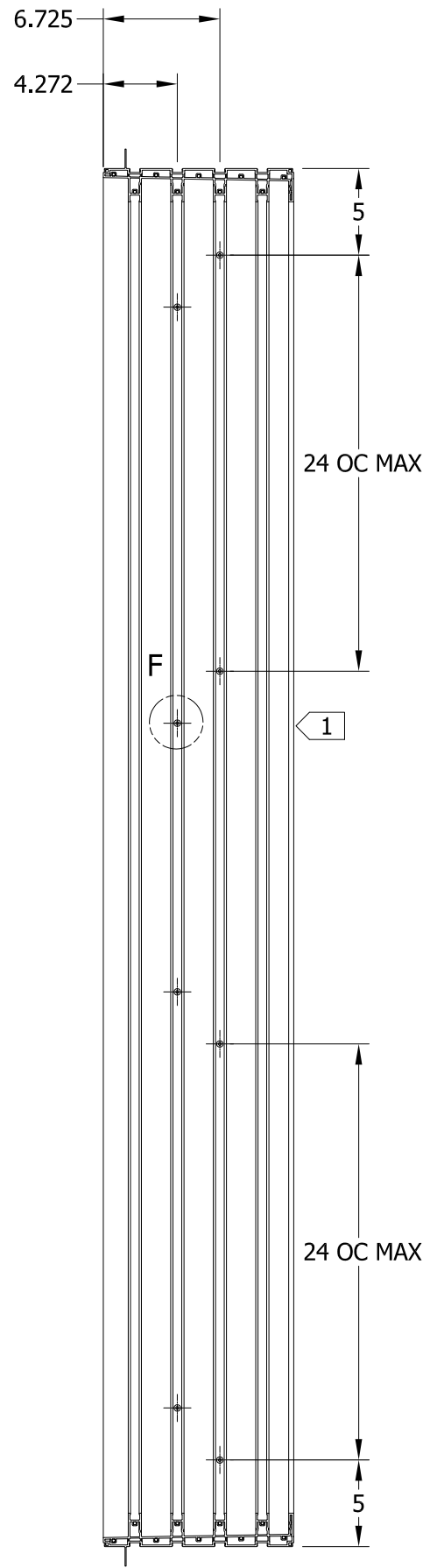
1. The product shown herein is designed, tested and manufactured to comply with the wind load criteria of the adopted International Building Code (IBC), the International Residential Code (IRC), the Florida Building Code (FBC) and the industry requirement for the stated conditions.
2. All glazing shall conform to ASTM E1300.
3. At minimum, glazing is 4.8mm tempered - 10.0mm airspace - 4.8mm annealed - 2.3mm SGP Interlayer by Dupont - 4.8mm annealed insulating glass.
4. Use structural or composite shims where required.

This schedule addresses only the fasteners required to anchor the unit to achieve the rated design pressure and impact performance (where applicable) up to the size limitations noted. It is not intended as a guide to the installation process and does not address the sealing consideration that may arise in different wall conditions. For the complete installation procedure, see the instructions packaged with the unit or go to www.jeld-wen.com/resources/installation.

DISCLAIMER:
This drawing and its contents are confidential and are not to be reproduced or copied in whole or in part or used or disclosed to others except as authorized by JELD-WEN Inc.

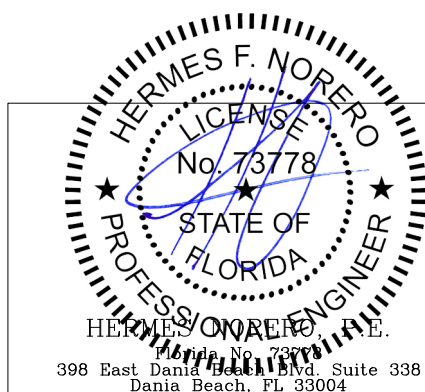
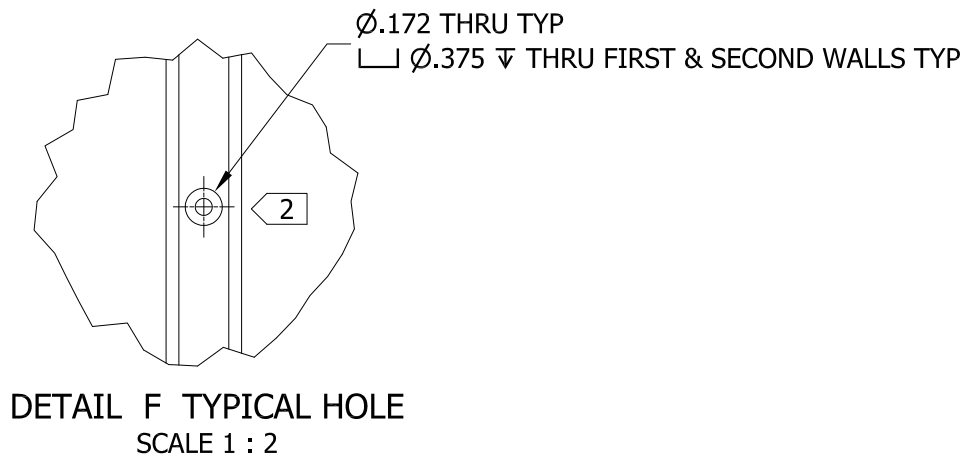


PROJECT ENGINEER:	DATE:	JELD-WEN 3737 LAKEPORT BLVD. KLAMATH FALLS OR, 97601 PHONE: (800) 535-3936		
DRAWN BY:	SCALE:			
CHECKED BY:	TITLE:	Premium Vinyl Multi-Slide Patio Door - HVHZ 6-Panel 4-Track OXXXXX Stack		
APPROVED BY:				
PART/PROJECT No.:				
IDENTIFIER No.	PLANT NAME AND LOCATION:	CAD DWG. No.:	REV:	SHEET
G6556.04	Venice-FL	PremVinylMTSLDR4 Cert	A	

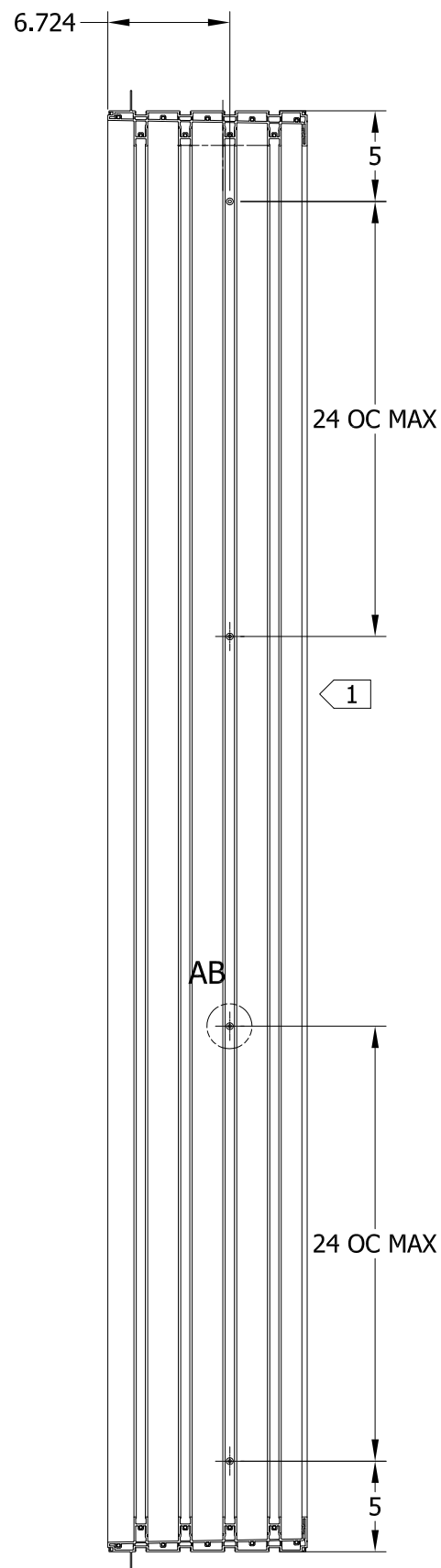


NOTES:

- 1. ANCHOR PATTERN LOCATED IN TRACKS 2 & 3 SHIFT AS DETAILED
- 1. HOLES TO BE OMITTED IF ON CENTER CALCULATIONS FALL WITHIN 2" OF KEEPER LOCATION
- 2. ALL HOLES IN ALL POSITIONS TO BE CENTERED WITHIN TRACK TOWERS IN JAMB
- 3. THRU FRAME INSTALLATION



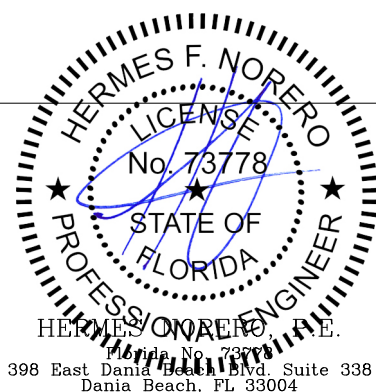
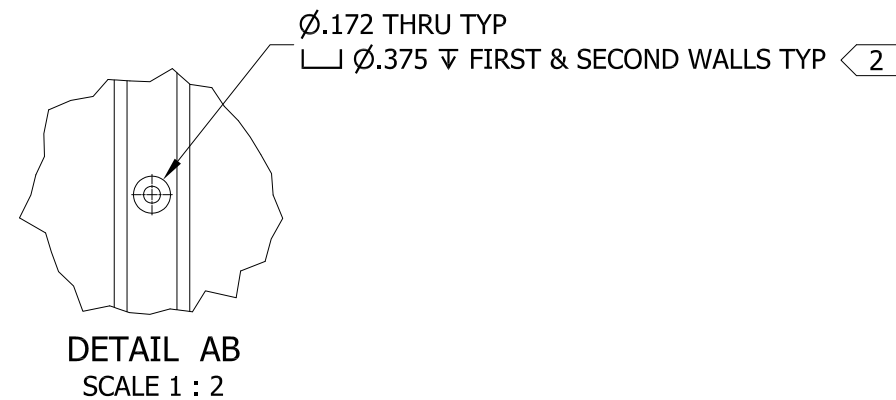
UNLESS SPECIFIED ALL DIMENSIONS IN INCHES DO NOT SCALE DRAWING - REPORT ANY ERRORS		PROJECT ENGINEER: N.HERTZOG	DATE: 9/11/2015	3737 Lakeport Blvd. Klamath Falls, OR 97601 Phone: (541) 882-3451	
TOLERANCES (UNLESS SPECIFIED OTHERWISE)		DRAWN BY: Y.GOMBO	SCALE: 1:10	JELD-WEN WINDOWS & DOORS	
COMPONENT / PART TOLERANCES		CHECKED BY: J.JONES	TITLE: 4-TRACK FRAME MULTI SLIDE PATIO DOOR JAMB ANCHOR HOLES DETAIL		
UNDER 10'-0" ± 1/32	.X ± .1	APPROVED BY: J.JONES	MODEL No.:	P012981-199.ipt	
OVER 10'-0" ± 1/16	.XX ± .02	IDENTIFIER No.	DRAWING No.:	P012981	
ANGULAR ± 1°	.XXX ± .006	© 2015 JELD-WEN, inc. ALL RIGHTS RESERVED. NO DUPLICATION OR DISTRIBUTION PERMITTED. JELD-WEN, inc. CONFIDENTIAL AND PROPRIETARY.		REV:	A
UNIT ASSEMBLY TOLERANCES		SHEET			
HEIGHT ± 1/16	WIDTH ± 1/16				
MULLION ± 1/16	FRACTION ± 1/32				



VIEW23
SCALE 1 : 10

NOTES:

- 1. ANCHOR PATTERN LOCATED IN TRACK 2 SHIFT AS DETAILED
- 1. HOLES TO BE OMITTED IF ON CENTER CALCULATIONS FALL WITHIN 2" OF KEEPER LOCATION
- 2. ALL HOLES IN ALL POSITIONS TO BE CENTERED WITHIN TRACK TOWERS IN JAMB
- 3. NAIL FIN INSTALLATION

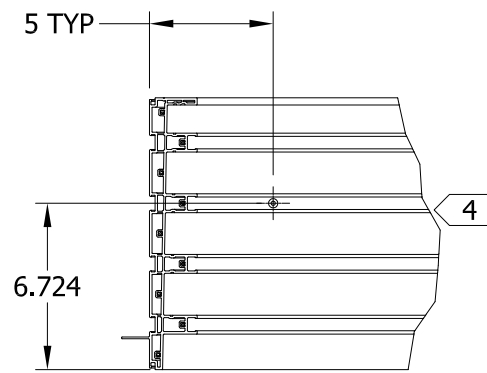


UNLESS SPECIFIED ALL DIMENSIONS IN INCHES
DO NOT SCALE DRAWING - REPORT ANY ERRORS

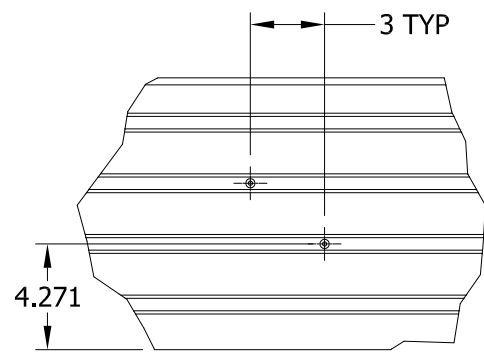
TOLERANCES (UNLESS SPECIFIED OTHERWISE)	
COMPONENT / PART TOLERANCES	
UNDER 10'-0" ± 1/32	.X ± .1
OVER 10'-0" ± 1/16	.XX ± .02
ANGULAR ± 1°	.XXX ± .006
UNIT ASSEMBLY TOLERANCES	
HEIGHT ± 1/16	WIDTH ± 1/16
MULLION ± 1/16	FRACTION ± 1/32

PROJECT ENGINEER: N.HERTZOG	DATE: 9/11/2015
DRAWN BY: Y.GOMBO	SCALE:
CHECKED BY: J.JONES	TITLE: 4-TRACK FRAME MULTI SLIDE PATIO DOOR JAMB ANCHOR HOLES DETAIL
APPROVED BY: J.JONES	MODEL No.: P012981-198.ipt
IDENTIFIER No.:	DRAWING No.: P012981

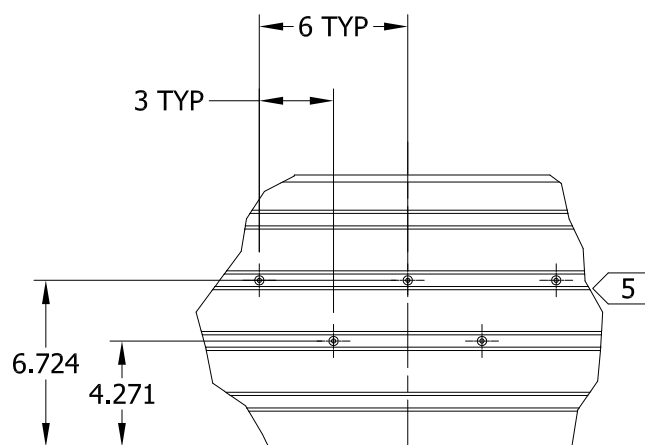
		3737 Lakeport Blvd. Klamath Falls, OR 97601 Phone: (541) 882-3451
<p>3. TITLE: 4-TRACK FRAME MULTI SLIDE PATIO DOOR JAMB ANCHOR HOLES DETAIL</p>		
<p>© 2015 JELD-WEN, inc. ALL RIGHTS RESERVED. NO DUPLICATION OR DISTRIBUTION PERMITTED. JELD-WEN, inc. CONFIDENTIAL AND PROPRIETARY.</p>		<p>REV: A SHEET</p>



EXT ↓ DETAIL V
SCALE 1 / 8



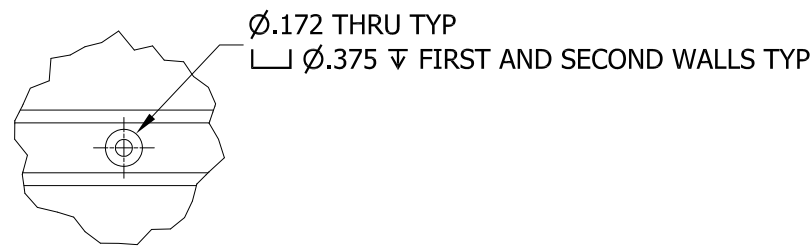
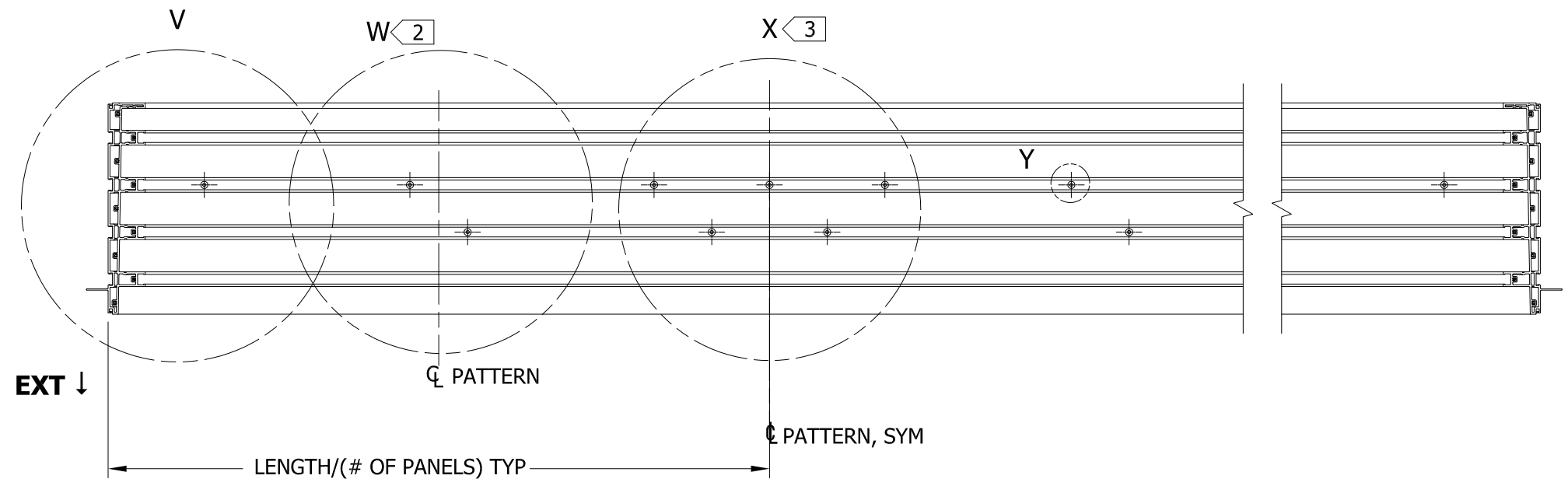
EXT ↓ DETAIL W
SCALE 1 / 8



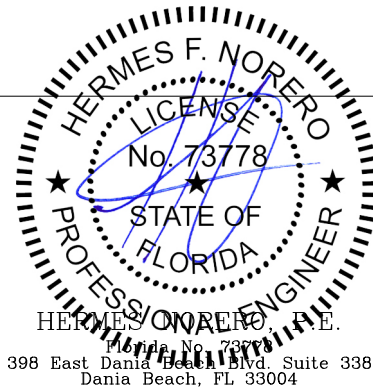
EXT ↓ DETAIL X
SCALE 1 / 8

NOTES:

- 1 ALL HOLES IN ALL POSITIONS TO BE CENTERED WITHIN TRACK TOWERS AT HEAD OR SILL
- 2 TYP 1 ANCHOR PER PANEL LOCATED IN TRACK 2 TOWER AND ALIGNED WITH CENTER POINT OF EACH CLOSED POSITION PANEL
- 3 ANCHOR PATTERN LOCATED IN TRACK 2 & 3 TOWER AT EACH INTERLOCK AREA
- 4 1 ANCHOR AT ENDS LOCATED IN TRACK 2 TOWER BOTH HEAD AND SILL
- 5 TYP 5 ANCHOR PATTERN LOCATED IN TRACK 2 & 3 TOWER APPROXIMATE CENTER OF EACH CLOSED POSITION PANEL INTERLOCK AREA
- 6 CONFIGURATION FOR PG 60/65 DOORS WITH THRU FRAME INSTALL



DETAIL Y TYPICAL HOLE
SCALE 1 : 2



UNLESS SPECIFIED ALL DIMENSIONS IN INCHES
DO NOT SCALE DRAWING - REPORT ANY ERRORS

TOLERANCES (UNLESS SPECIFIED OTHERWISE)	
COMPONENT / PART TOLERANCES	
UNDER 10'-0" ± 1/32	.X ± .1
OVER 10'-0" ± 1/16	.XX ± .02
ANGULAR ± 1°	.XXX ± .006
UNIT ASSEMBLY TOLERANCES	
HEIGHT ± 1/16	WIDTH ± 1/16
MULLION ± 1/16	FRACTION ± 1/32

PROJECT ENGINEER:
N.HERTZOG

DRAWN BY:
Y.GOMBO

CHECKED BY:
J.JONES

APPROVED BY:
J.JONES

IDENTIFIER No.

DATE:
9/11/2015

SCALE:
1:8

TITLE:
**4 TRACK FRAME
MULTI SLIDE PATIO DOOR
SILL/HEAD ANCHOR HOLE DETAIL**

MODEL No.:
P012981-399.ipt

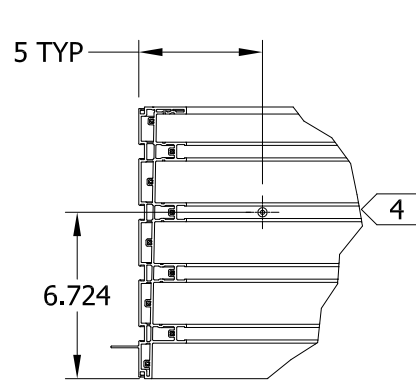
DRAWING No.:
P012981

© 2015 JELD-WEN, inc. ALL RIGHTS RESERVED. NO DUPLICATION OR DISTRIBUTION PERMITTED. JELD-WEN, inc. CONFIDENTIAL AND PROPRIETARY.

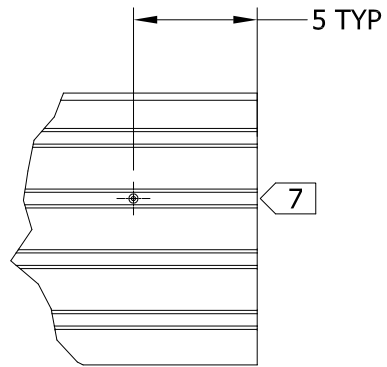
JELD-WEN
WINDOWS & DOORS

3737 Lakeport Blvd.
Klamath Falls, OR 97601
Phone: (541) 882-3451

REV: **A** SHEET



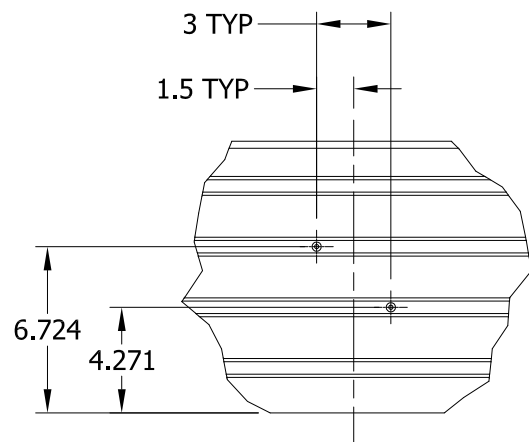
DETAIL AK
SCALE 1 / 8



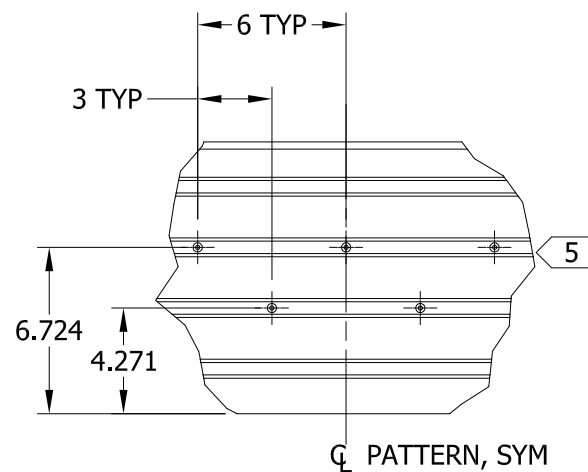
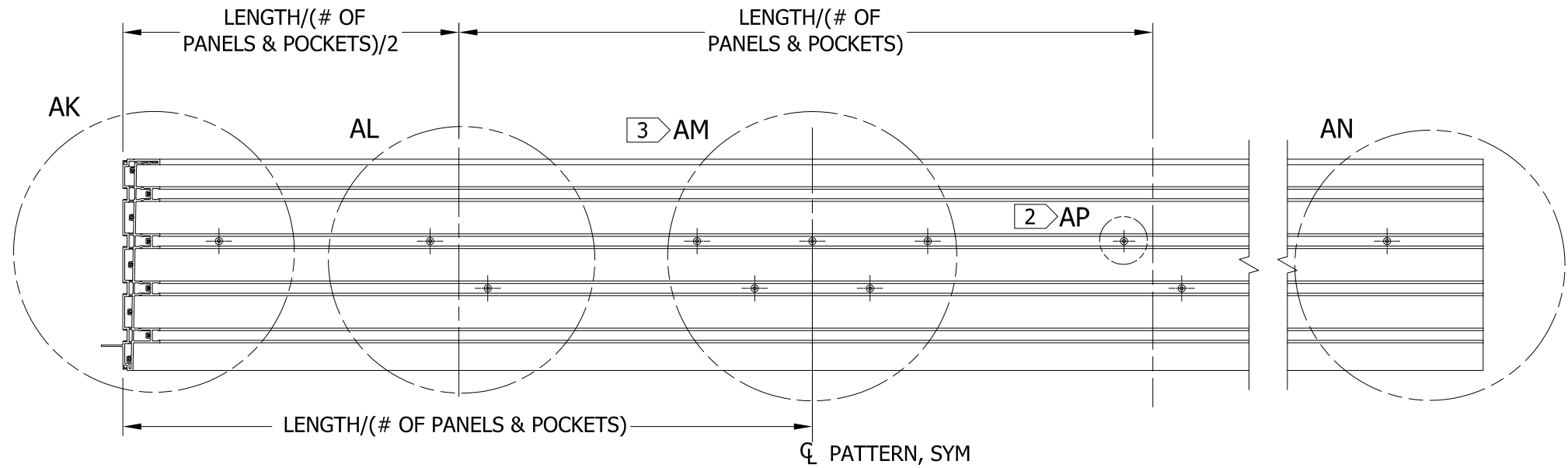
DETAIL AN
SCALE 1 / 8

NOTES:

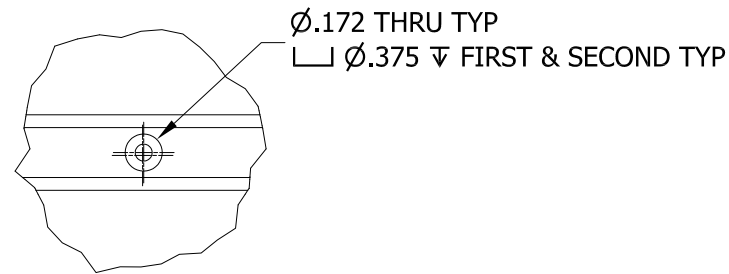
- 1 ALL HOLES IN ALL POSITIONS TO BE CENTERED WITHIN TRACK TOWERS AT HEAD OR SILL
- 2 TYP 1 ANCHOR PER PANEL LOCATED IN TRACK 2 TOWER AND ALIGNED WITH CENTER POINT OF EACH CLOSED POSITION PANEL
- 3 ANCHOR PATTERN LOCATED IN TRACKS 2 & 3 TOWER AT EACH INTERLOCK AREA
- 4 1 ANCHOR AT MITERED ENDS LOCATED IN TRACK 2 TOWER BOTH HEAD AND SILL
- 5 TYP 5 ANCHOR PATTERN LOCATED IN TRACKS 2 & 3 TOWER APPROXIMATE CENTER OF EACH CLOSED POSITION PANEL INTERLOCK AREA
- 6 CONFIGURATION FOR PG 60/65 POCKET DOORS WITH THRU FRAME INSTALL
- 7 POCKET HEAD AND SILL END; MIRROR FOR 2-POCKET CONFIGURATION



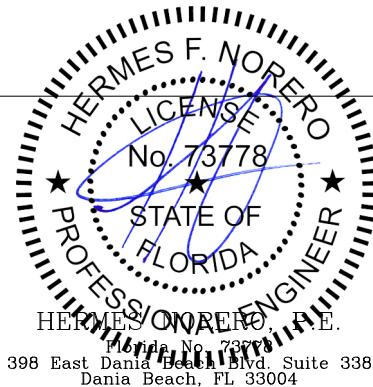
DETAIL AL
SCALE 1 / 8



DETAIL AM
SCALE 1 / 8



DETAIL AP
SCALE 1 / 2



UNLESS SPECIFIED ALL DIMENSIONS IN INCHES
DO NOT SCALE DRAWING - REPORT ANY ERRORS

TOLERANCES (UNLESS SPECIFIED OTHERWISE)	
COMPONENT / PART TOLERANCES	
UNDER 10'-0" ± 1/32	.X ± .1
OVER 10'-0" ± 1/16	.XX ± .02
ANGULAR ± 1°	.XXX ± .006
UNIT ASSEMBLY TOLERANCES	
HEIGHT ± 1/16	WIDTH ± 1/16
MULLION ± 1/16	FRACTION ± 1/32

PROJECT ENGINEER:
N.HERTZOG

DRAWN BY:
Y.GOMBO

CHECKED BY:
J.JONES

APPROVED BY:
J.JONES

IDENTIFIER No.

DATE:
9/11/2015

SCALE:
1:8

TITLE:
**4-TRACK FRAME
MULTI-SLIDE PATIO DOOR
SILL/HEAD ANCHOR HOLE DETAIL**

MODEL No.: **P012981-333.ipt** DRAWING No.: **P012981**

© 2015 JELD-WEN, inc. ALL RIGHTS RESERVED. NO DUPLICATION OR DISTRIBUTION PERMITTED. JELD-WEN, inc. CONFIDENTIAL AND PROPRIETARY.

REV: **A** SHEET

